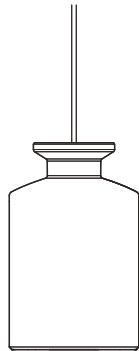


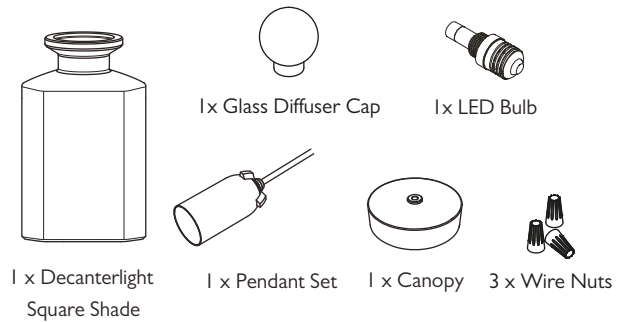
# LEE BROOM

## DECANTERLIGHT SQUARE

US: NDC0150



### CONTENTS



### ATTENTION! BEFORE YOU START

For safety please read these instructions carefully before you commence install and retain them for future reference.

- Decanterlight must be installed by a qualified electrician.
- Install according to latest NEC wiring regulations.
- Ensure mains power supply is disconnected prior to installation.
- This product is for interior use only and should be installed in a dry environment only.
- Bulb is supplied.
- When switched on Decanterlight may become hot.

### TECHNICAL

110-130V ~ 60Hz; E26 MAX 25W LED



For more information, please contact:


US & Canada Inquiries: +1 212 804 8477 - sales@leebroom.com

UK & Global Inquiries: +44 207 820 0742 - info@leebroom.com

### BULB REPLACEMENT

- Visit [www.leebroom.com](http://www.leebroom.com) to purchase recommended replacements.
- Maximum wattage E26 25W LED, 110-130V.
- To replace bulb:
  - i. Make sure Decanterlight is switched off and ensure the LED bulb has cooled down before handling.
  - ii. Unscrew and remove old bulb from the lamp holder.
  - iii. Screw new LED bulb into lamp holder.

### RECYCLING ELECTRICAL PRODUCTS

Lee Broom encourages all customers to notice this symbol  and avoid putting any waste electrical goods in domestic waste bins or containers. Please ensure waste electrical goods are disposed of at a suitable facility.

### CARE AND CLEANING

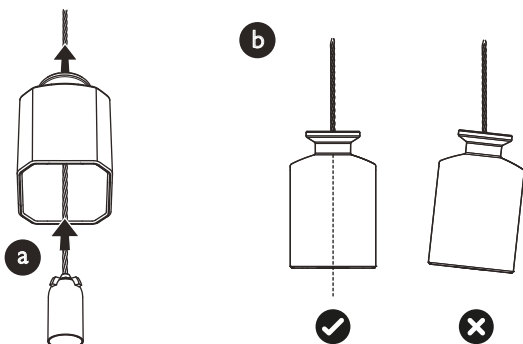
- Only clean when Decanterlight is switched off.
- Please allow a suitable cooling period before cleaning.
- Only use a non-abrasive, soft, dry cloth when cleaning Decanterlight.

### ASSEMBLY

DISCONNECT ALL MAINS POWER SUPPLY WIRES BEFORE INSTALLATION.

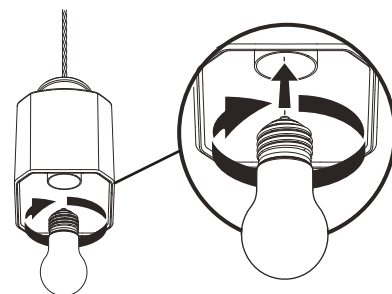
1.

- a. Thread the electrical cord from pendant set through the Decanterlight glass shade.
- b. Adjust the position of the glass shade until it is sitting level on top of the lampholder cup.



2.

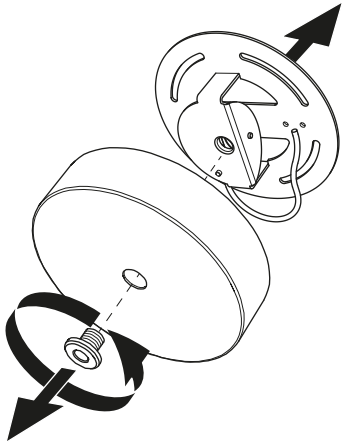
Fit supplied bulb into lamp holder. Supplied bulb is recommended by Lee Broom for correct brightness and colour temperature. Alternative bulbs are available.



ASSEMBLY

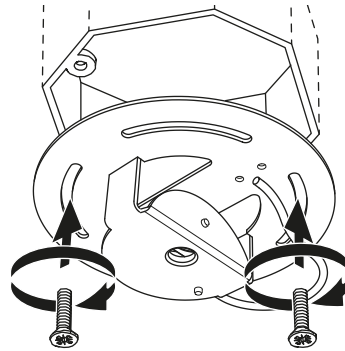
3.

Separate the back plate from the canopy cover by unscrewing the end nut.



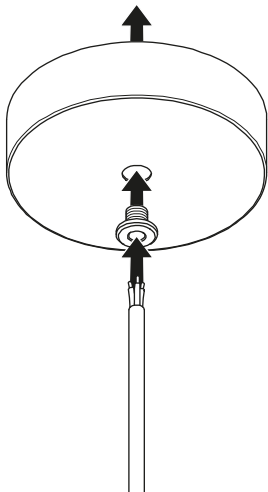
4.

Mount the back plate onto standard 4" octagonal junction box. If you do not have one in the desired position, get your electrician to install one. Fixings not supplied. Suitable junction box bolts should be used.



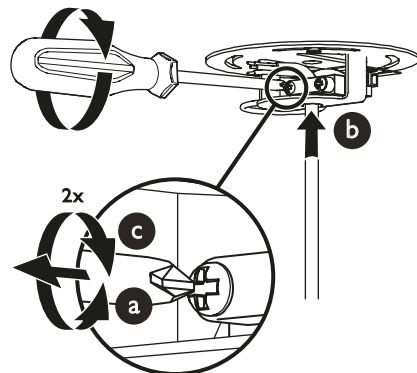
5.

Thread the electrical cord through the end nut and canopy cover.



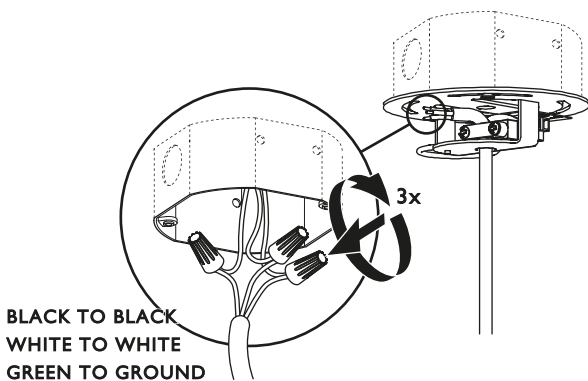
6.

- a. Loosen the two screws on the cord restraint.
- b. Thread the electrical cord through the cord restraint.
- c. Tighten screws on cord restraint at desired length.



7.

Make electrical connections to the correct wires using the wire nuts provided. This product must be grounded.



8.

Attach the canopy cover by screwing the end nut into the back plate.

