



---

# VECTOR SERIES

## CEILING/WALL

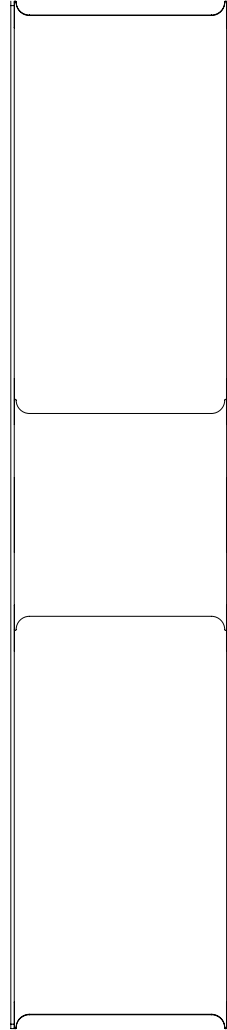
---

DESIGNER  
**LUKAS PEET**

INSTRUCTIONS



SCAN HERE



**NORTH AMERICA**



[a-n-d.com](http://a-n-d.com)

# INSTALLATION NOTES

---

It is recommended that two people install the Vector Ceiling/Wall; one to gently support the luminaire while the other makes the electrical and mechanical connections.

Both installers should wear clean gloves and take great care not to damage the luminaire.

For questions regarding installation, please email [info@a-n-d.com](mailto:info@a-n-d.com)



## CARE INSTRUCTIONS

Always wear clean gloves when handling the luminaire. Please handle with the utmost care. The finish of this luminaire is very delicate and can be marked or shed with improper handling. Some patine will naturally occur over time.

For replacement parts, contact A-N-D directly.



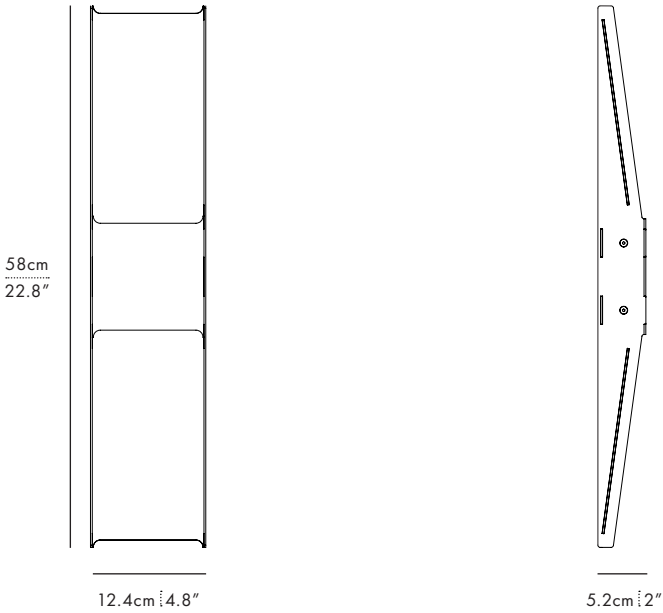
## WARNING

The luminaire must be installed by a qualified electrician in a dry indoor location.

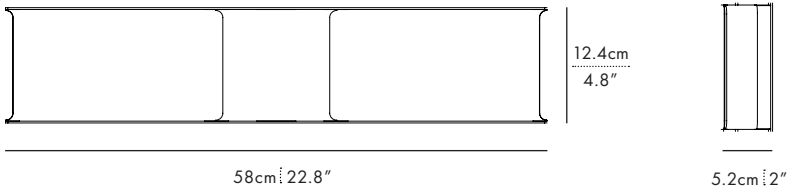
Failure to meet any or all of these criteria will not only damage the luminaire, but will void both the warranty and all of its certifications.

The Vector Ceiling/Wall can be installed horizontally or vertically.

## VERTICAL



## HORIZONTAL



There are two installation options depending on driver type:

### OPTION 1 - P. 5

**PHASE (PC) / 0-10 DIMMING:** The luminaire's driver is delivered with the driver already assembled.

### OPTION 2 - P. 12

**DALI DIMMING:** The luminaire's driver is required to be installed remotely.

# DRIVER OPTIONS

The Vector Ceiling/Wall LED driver varies depending on dimming requirements and input voltage.

Use the ordering code to determine the selected driver:

ie. VEC-CW-SS-010-230

DIMMING --- INPUT VOLTAGE

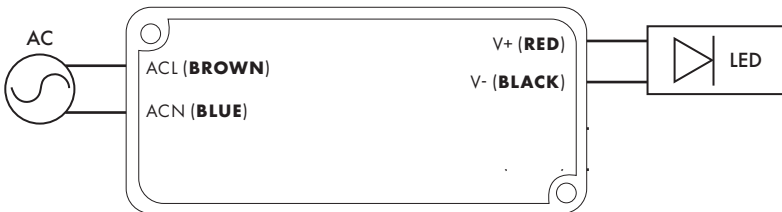
## PHASE CUT DIMMING (PC)

LD024D

**INPUT:** 120V

**OUTPUT:** 24V, 24W

**L x W x H:** 88 x 41 x 31



## 0-10 + PWM DIMMING (010)

LD022H

**INPUT:** 110-277VAC

**OUTPUT:** 24VDC, 22W

**L x W x H:** 88 x 41 x 31



## ⚠ DALI (DAL) - REMOTE ONLY ⚠

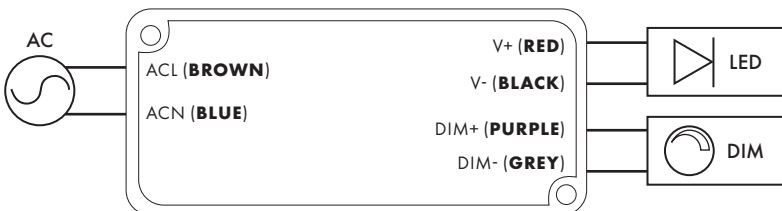


EUCHIPS EUP40D 24V

**INPUT:** 100-240V

**OUTPUT:** 24V, 40W

**L x W x H:** 140 x 35 x 80

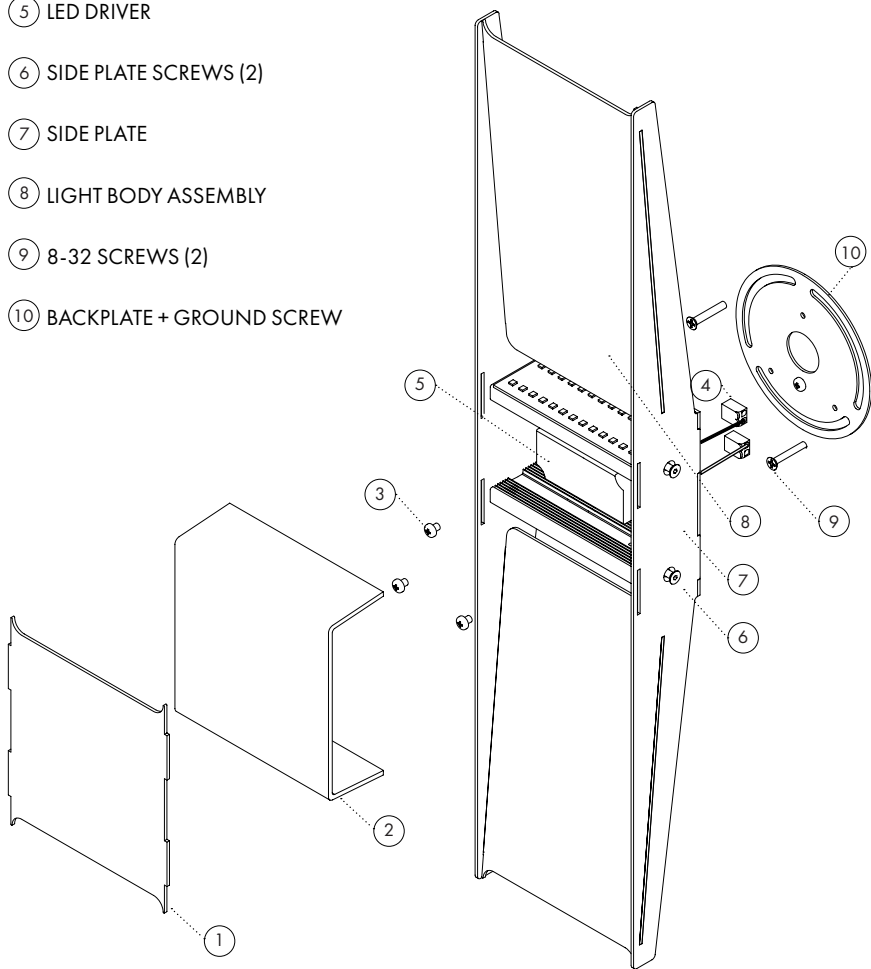


# COMPONENTS



## OPTION 1 - PC / 0-10 DIMMING

- ① FACE PLATE
- ② DIFFUSER
- ③ MOUNTING SCREW (3)
- ④ TERMINAL (2)
- ⑤ LED DRIVER
- ⑥ SIDE PLATE SCREWS (2)
- ⑦ SIDE PLATE
- ⑧ LIGHT BODY ASSEMBLY
- ⑨ 8-32 SCREWS (2)
- ⑩ BACKPLATE + GROUND SCREW



# INSTALLATION

## OPTION 1 - PC / 0-10 DIMMING

### STEP 1

**i) Feed the Line (L) and Neutral (N) and Ground (G) wires from the junction box through the backplate.**

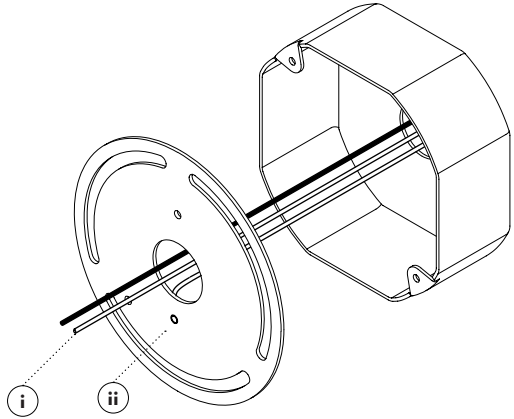
Black/brown wire = **Line** (L)

White/blue wire = **Neutral** (N)

**ii) Connect Ground (G)**

#### **⚠ Caution!**

Please handle with the utmost care. The finish of this luminaire is very delicate and can be marked or shed with improper handling. Some patina will naturally occur over time.

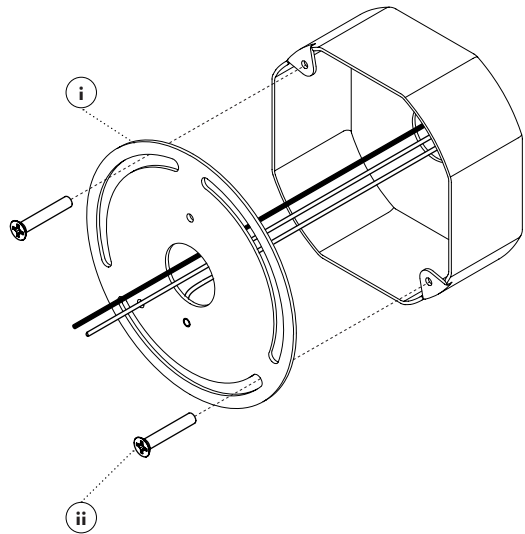


**STEP 2**

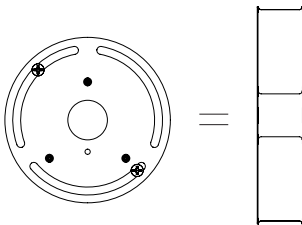
**i) Turn the backplate according to the desired fixture orientation.**

Use the three indicated threaded holes as reference.

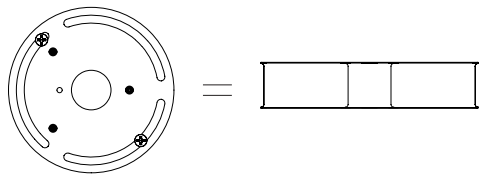
**ii) Using the provided 8-32 screws, connect the backplate on the junction box.**



**VERTICAL ORIENTATION**



**HORIZONTAL ORIENTATION**



# INSTALLATION

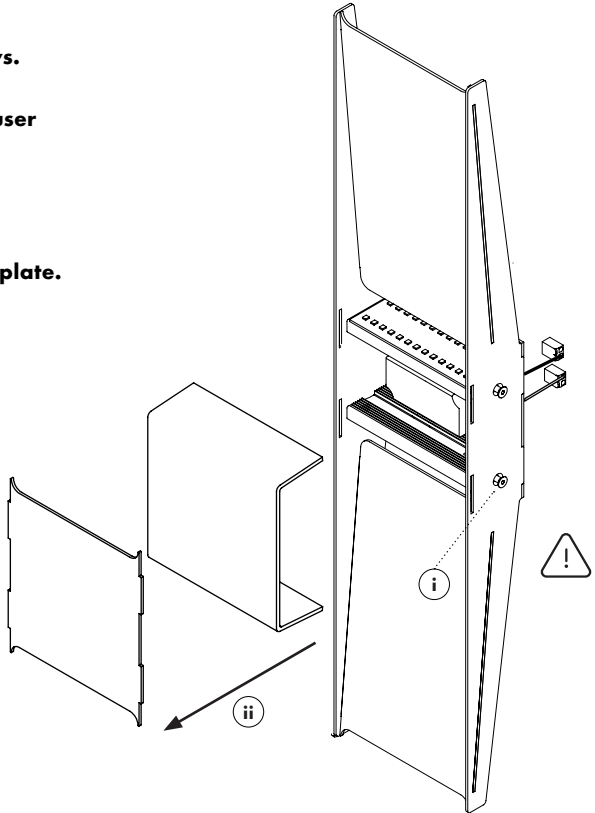
## OPTION 1 - PC / 0-10 DIMMING

### STEP 3

- i) Loosen (2) side plate screws.
- ii) Carefully remove the diffuser and face plate.



**Do not fully remove the side plate.**





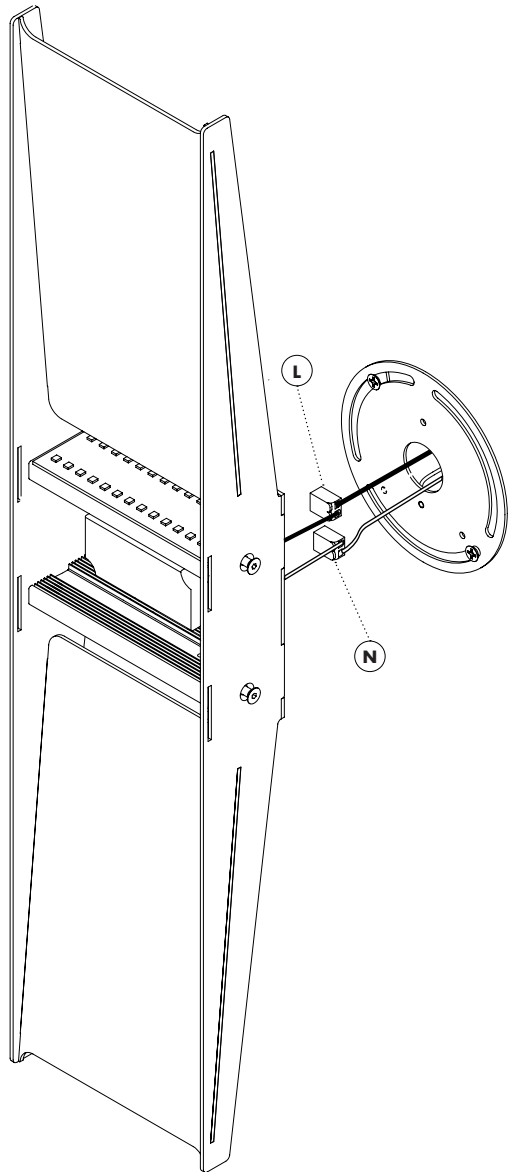
**STEP 4**

**Connect the Line (N) and Neutral (N) wires to the terminals.**

Use the two provided terminals.

Black/brown wire = **Line** (L)

White/blue wire = **Neutral** (N)

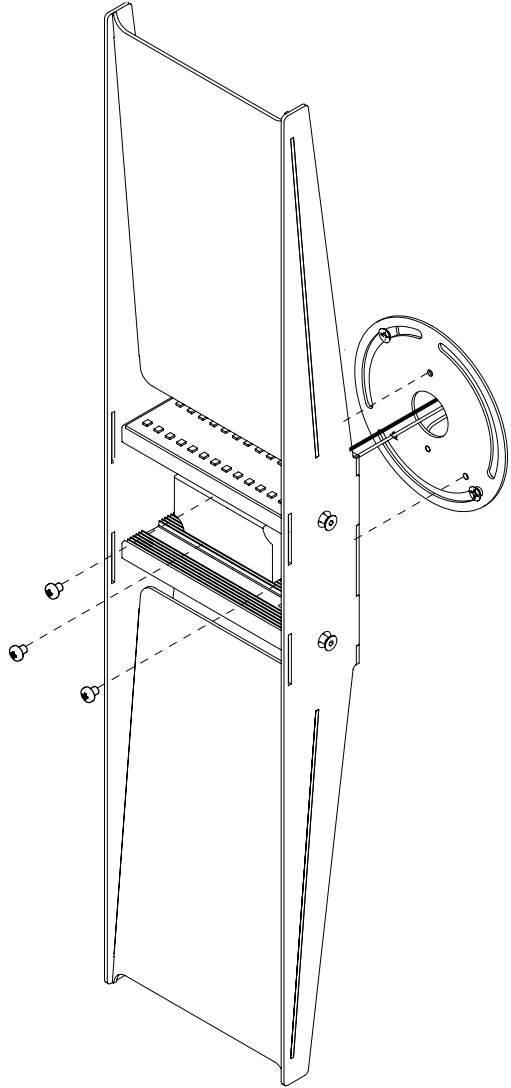


# INSTALLATION

## OPTION 1 - PC / 0-10 DIMMING

### STEP 5

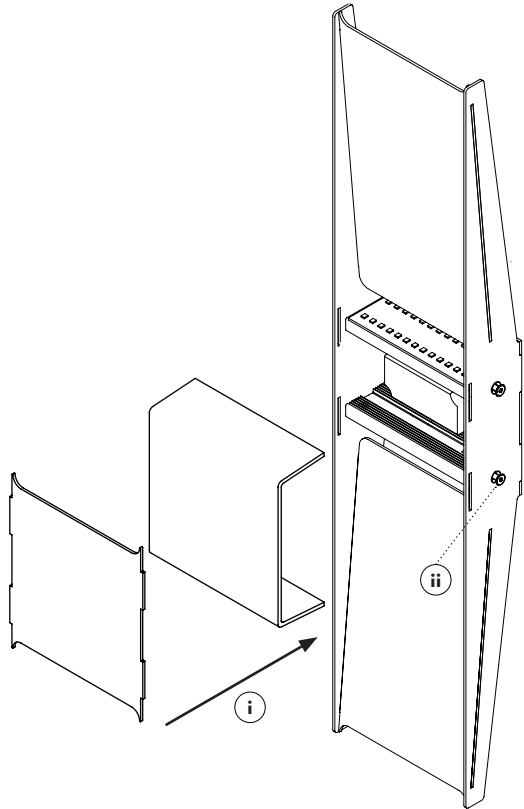
Using the provided (3) light assembly screws, connect the luminaire to the backplate.



**STEP 6**

**i) Place the diffuser and front plate back in position.**

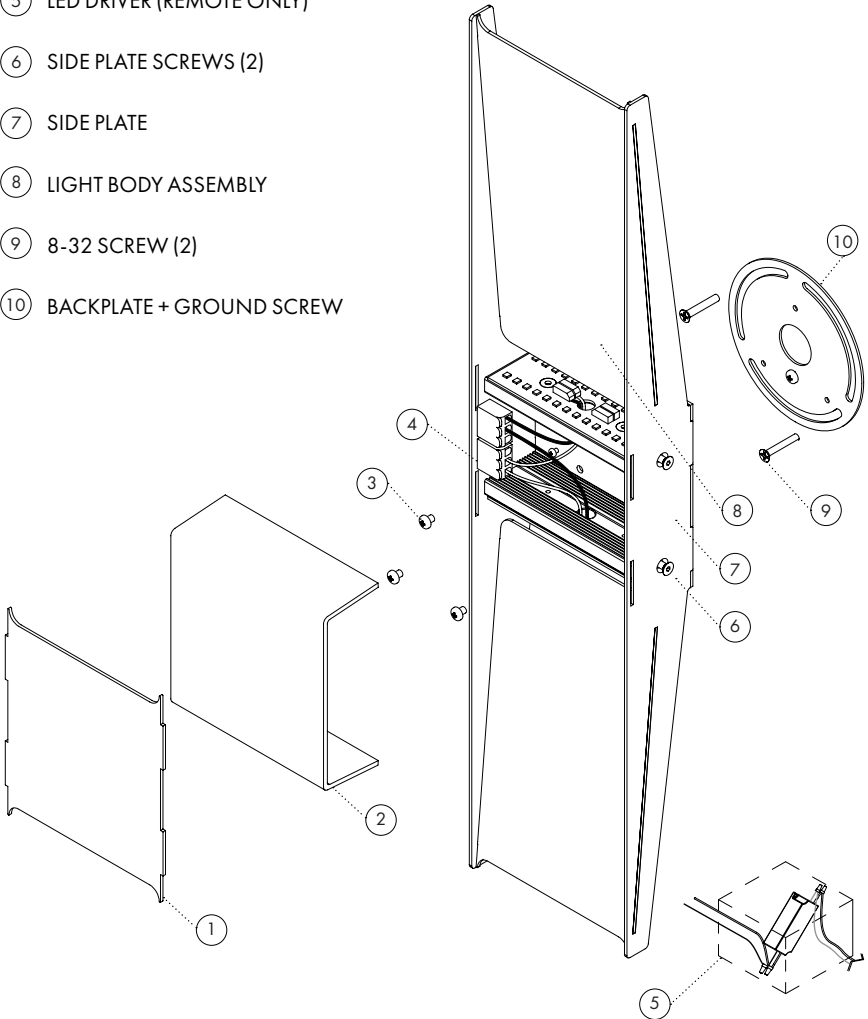
**ii) Tighten (2) side plate screws.**



# COMPONENTS

## OPTION 2 - DALI DIMMING \*REMOTE DRIVER ONLY\*

- ① FACE PLATE
- ② DIFFUSER
- ③ MOUNTING SCREW (3)
- ④ TERMINAL (2)
- ⑤ LED DRIVER (REMOTE ONLY)
- ⑥ SIDE PLATE SCREWS (2)
- ⑦ SIDE PLATE
- ⑧ LIGHT BODY ASSEMBLY
- ⑨ 8-32 SCREW (2)
- ⑩ BACKPLATE + GROUND SCREW



**OPTION 2 -DALI DIMMING \*REMOTE DRIVER ONLY\***

**STEP 1**

**Ensure that power is disconnected and connect the input power to the primary circuit on the LED driver. Connect ground.**

Black/brown wire = **Line** (L)

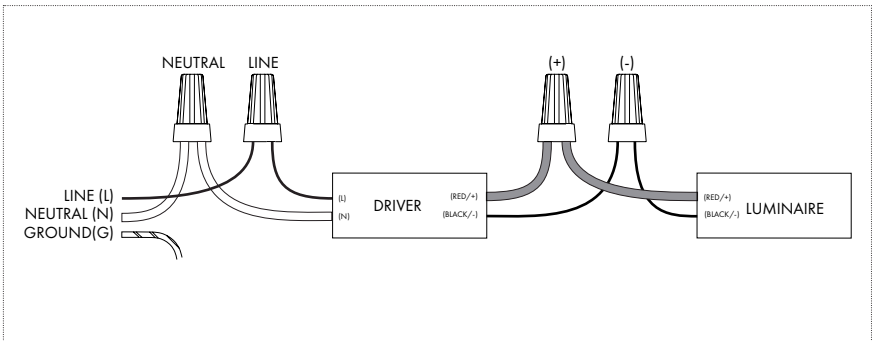
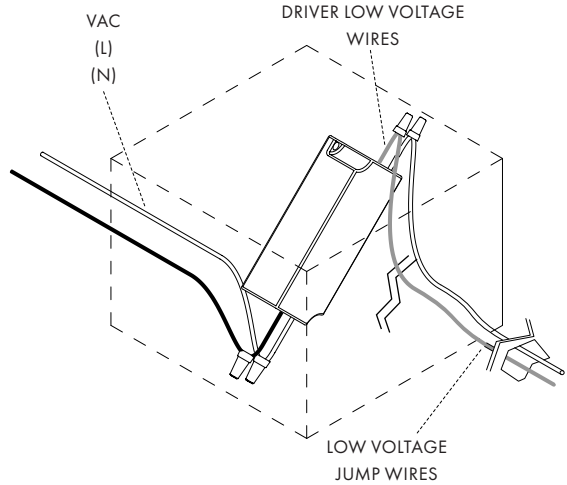
White/blue wire = **Neutral** (N)

Green screw = **Ground** (G)

**⚠ Caution!**

Please handle with the utmost care. The finish of this luminaire is very delicate and can be marked or shed with improper handling. Some patine will naturally occur over time.

**⚠ \*DALI REMOTE DRIVER ONLY\* ⚠**



# INSTALLATION

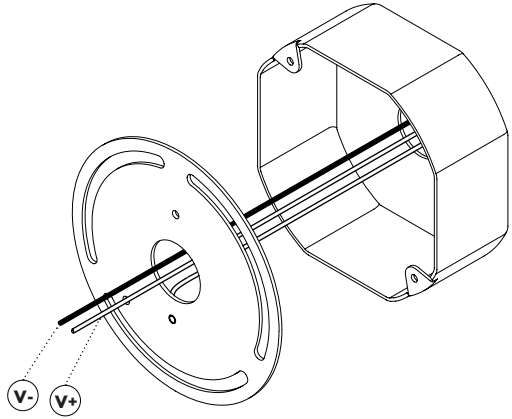
## OPTION 2 - DALI DIMMING \*REMOTE DRIVER ONLY\*

### STEP 2

i) Feed the low voltage jump wires **Positive (+)** and **Negative (-)** through the backplate.

Red wire = **Positive** (V+)

Black wire = **Negative** (V-)

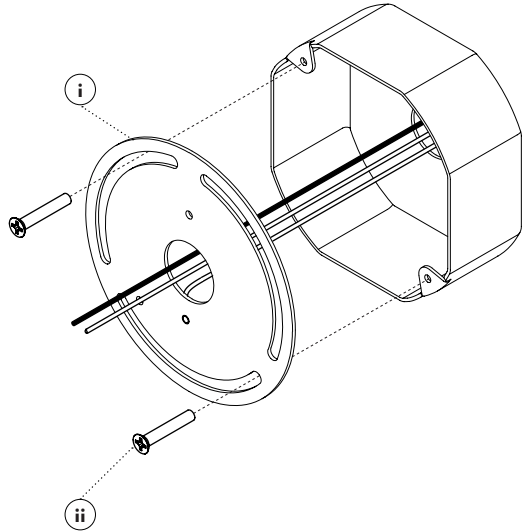


**STEP 3**

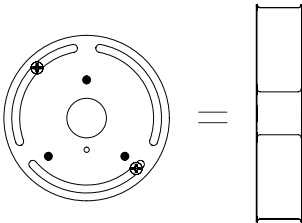
**i) Turn the backplate according to the desired fixture orientation.**

Use the three indicated threaded holes as reference.

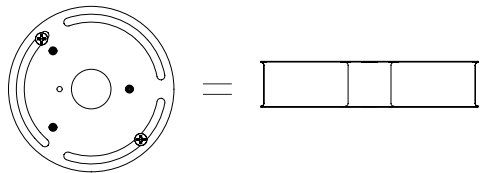
**ii) Using the provided 8-32 screws, connect the backplate on the junction box.**



**VERTICAL ORIENTATION**



**HORIZONTAL ORIENTATION**



# INSTALLATION

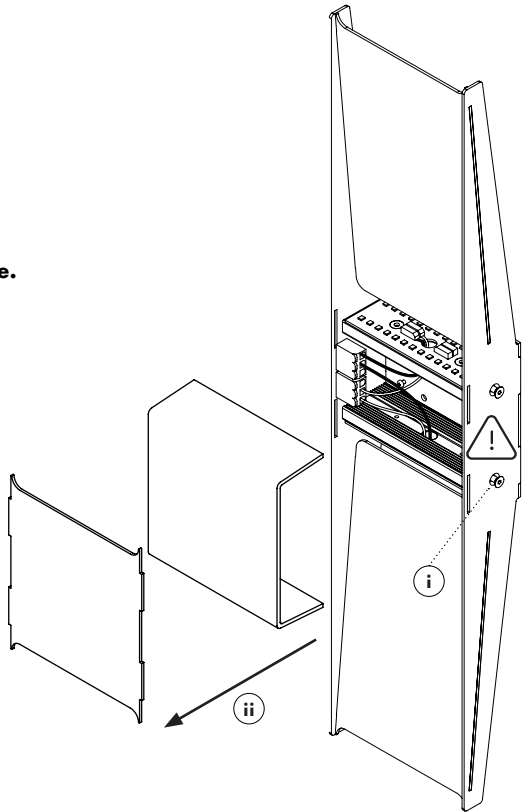
OPTION 2 - DALI DIMMING \*REMOTE DRIVER ONLY\*

## STEP 4

- i) Loosen (2) side plate screws.
- ii) Carefully remove the diffuser and face plate.



**Do not fully remove the side plate.**





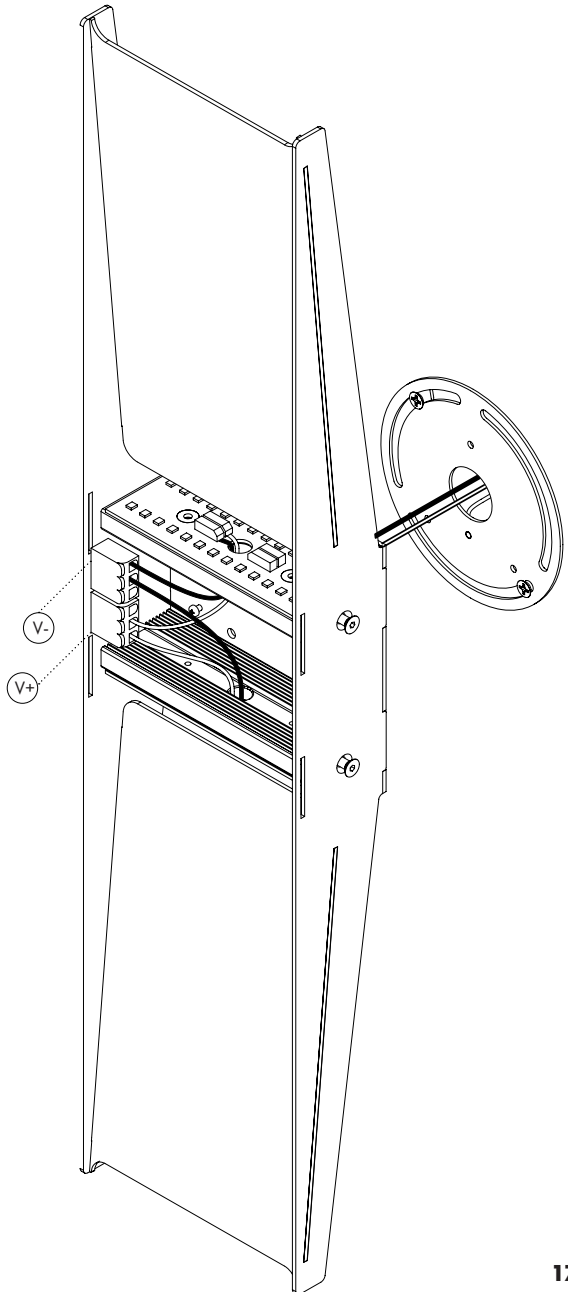
**STEP 5**

**Connect the Positive (+) and Negative (-) wires from the junction box to the terminals.**

Use the two provided terminals.

Red wire = **Positive** (V+)

Black wire = **Negative** (V-)

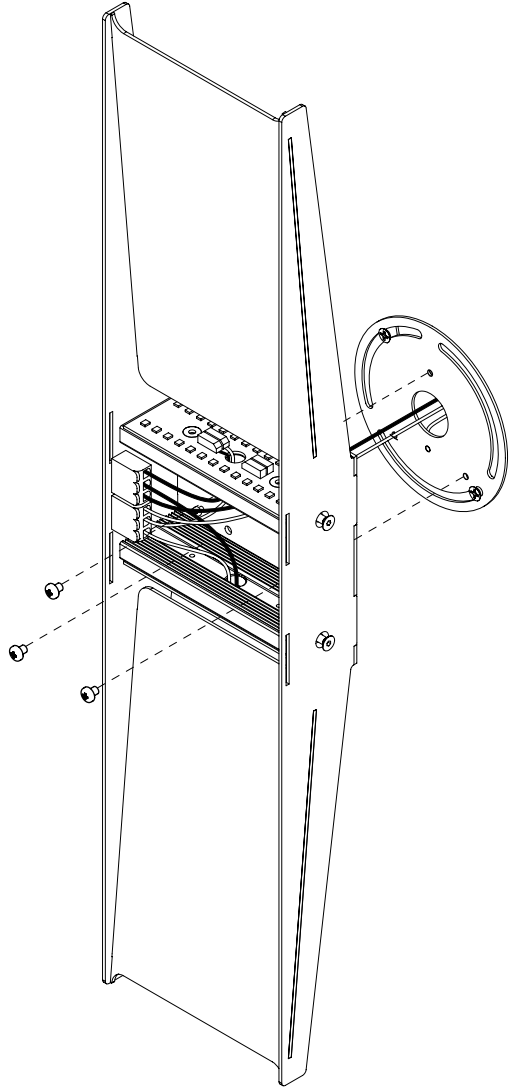


# INSTALLATION

OPTION 2 - DALI DIMMING \*REMOTE DRIVER ONLY\*

## STEP 6

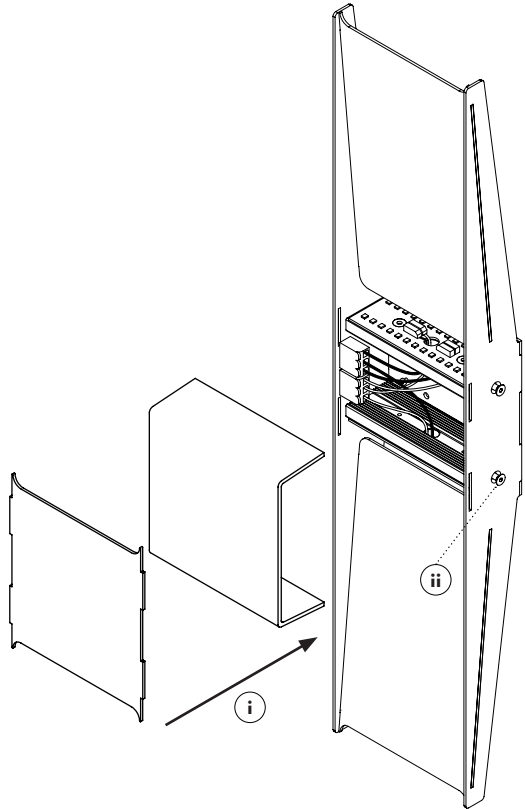
Using the provided (3) light assembly screws, connect the luminaire to the backplate.



**STEP 7**

**i) Place the diffuser and front plate back in position.**

**ii) Tighten (2) side plate screws.**





---

For support, please contact:

[info@n-d.com](mailto:info@n-d.com)

+1 604 563 6938

---

**A-N-D**

1951 Franklin St,  
Vancouver, BC  
Canada V5L 0C7

[n-d.com](http://n-d.com)