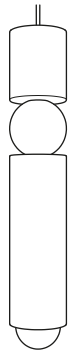


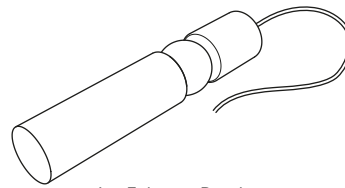
# LEE BROOM

## FULCRUM LIGHT

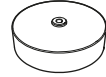
US: FUL0161 / FUL0160 / FUL0170



### CONTENTS



1 x Fulcrum Pendant



1 x Canopy



1 x E26 LED Bulb



3 x Wire Nuts

### ATTENTION! BEFORE YOU START

For safety please read these instructions carefully before you commence install and retain them for future reference.

- Fulcrum Light must be installed by a qualified electrician.
- Install according to latest NEC wiring regulations.
- Ensure mains power supply is disconnected prior to installation.
- This product is for interior use only and should be installed in a dry environment only.
- Bulb is supplied.
- When switched on Fulcrum Light may become hot.

### TECHNICAL

110-130V ~ 60Hz; E26 MAX 25W LED



For more information, please contact:


US & Canada Inquiries: +1 212 804 8477 - sales@leebroom.com

UK & Global Inquiries: +44 207 820 0742 - info@leebroom.com

### BULB REPLACEMENT

- Visit [www.leebroom.com](http://www.leebroom.com) to purchase recommended replacement.
- Maximum wattage E26 25W LED, 110-130V.
- To replace bulb:
  - i. Make sure Fulcrum is switched off and ensure the LED bulb has cooled down before handling.
  - ii. Remove Lens Flair from base and place diffuser half onto a soft surface.
  - iii. Reverse assembly step 6 to access bulb.
  - iv. Unscrew and remove the bulb from Fulcrum.
  - v. Screw new bulb into lamp holder of Fulcrum.
  - vi. Repeat assembly step 6 to complete bulb replacement.

### RECYCLING ELECTRICAL PRODUCTS

Lee Broom encourages all customers to notice this symbol  and avoid putting any waste electrical goods in domestic waste bins or containers. Please ensure waste electrical goods are disposed of at a suitable facility.

### CARE AND CLEANING

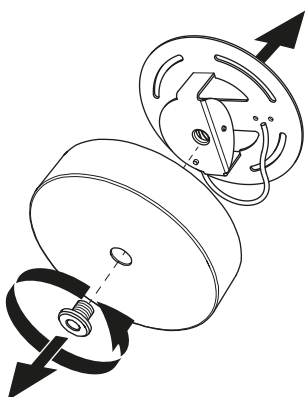
- Only clean when Fulcrum is switched off.
- Please allow a suitable cooling period before cleaning.
- Only use a non-abrasive, soft, dry cloth when cleaning Fulcrum.

### ASSEMBLY

DISCONNECT ALL MAINS POWER SUPPLY WIRES BEFORE INSTALLATION.

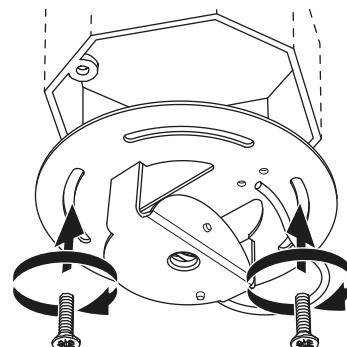
1.

Separate back plate from the canopy cover by unscrewing the end nut.



2.

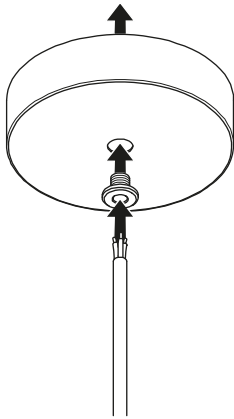
Mount the back plate onto standard 4" octagonal junction box. If you do not have one in the desired position, get your electrician to install one. Fixings not supplied. Suitable junction box bolts should be used.



ASSEMBLY

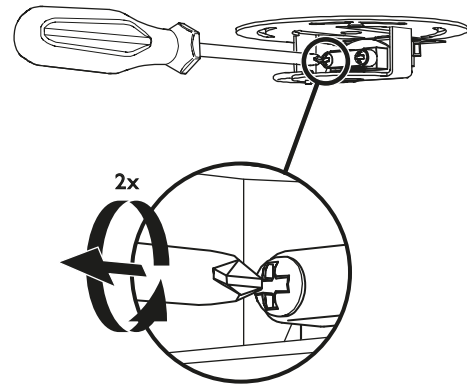
3.

Thread the electrical cord through the end nut and canopy cover.



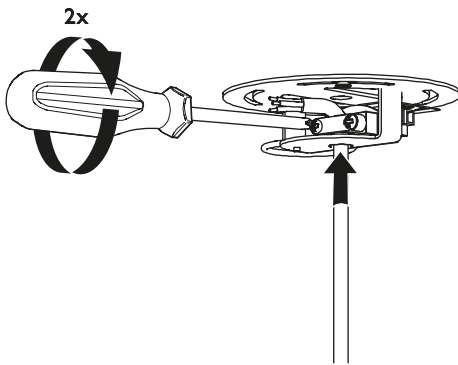
4.

Loosen the screws on the cord restraint.



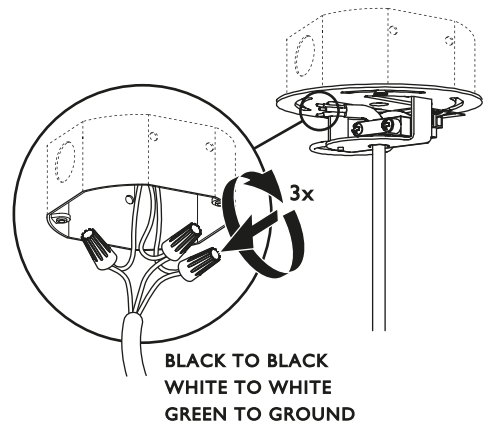
5.

Thread the electrical cord through the cord restraint and tighten screws on cord restraint at desired length.



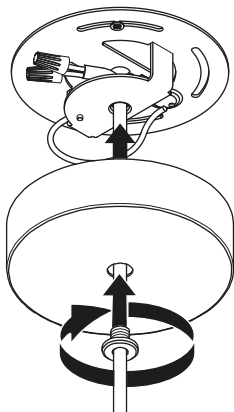
6.

Make electrical connections to the correct wires using the wire nuts provided. This product must be grounded.



7.

Attach the canopy cover by screwing the end nut into the back plate.



8.

Fit supplied bulb into lamp holder. Supplied bulb is recommended by Lee Broom for correct brightness and colour temperature. Alternative bulbs are available.

