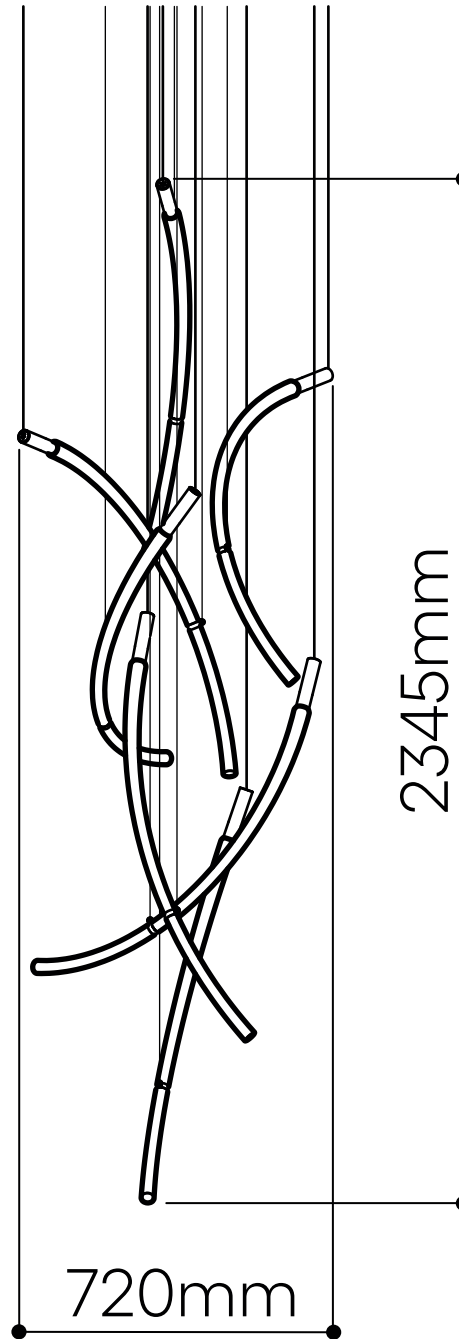


Flare 7pcs

Option 14



Print the attached RCP PLAN in a 1:1 scale on paper and project the anchor points onto the ceiling using a laser.

RCP PLAN

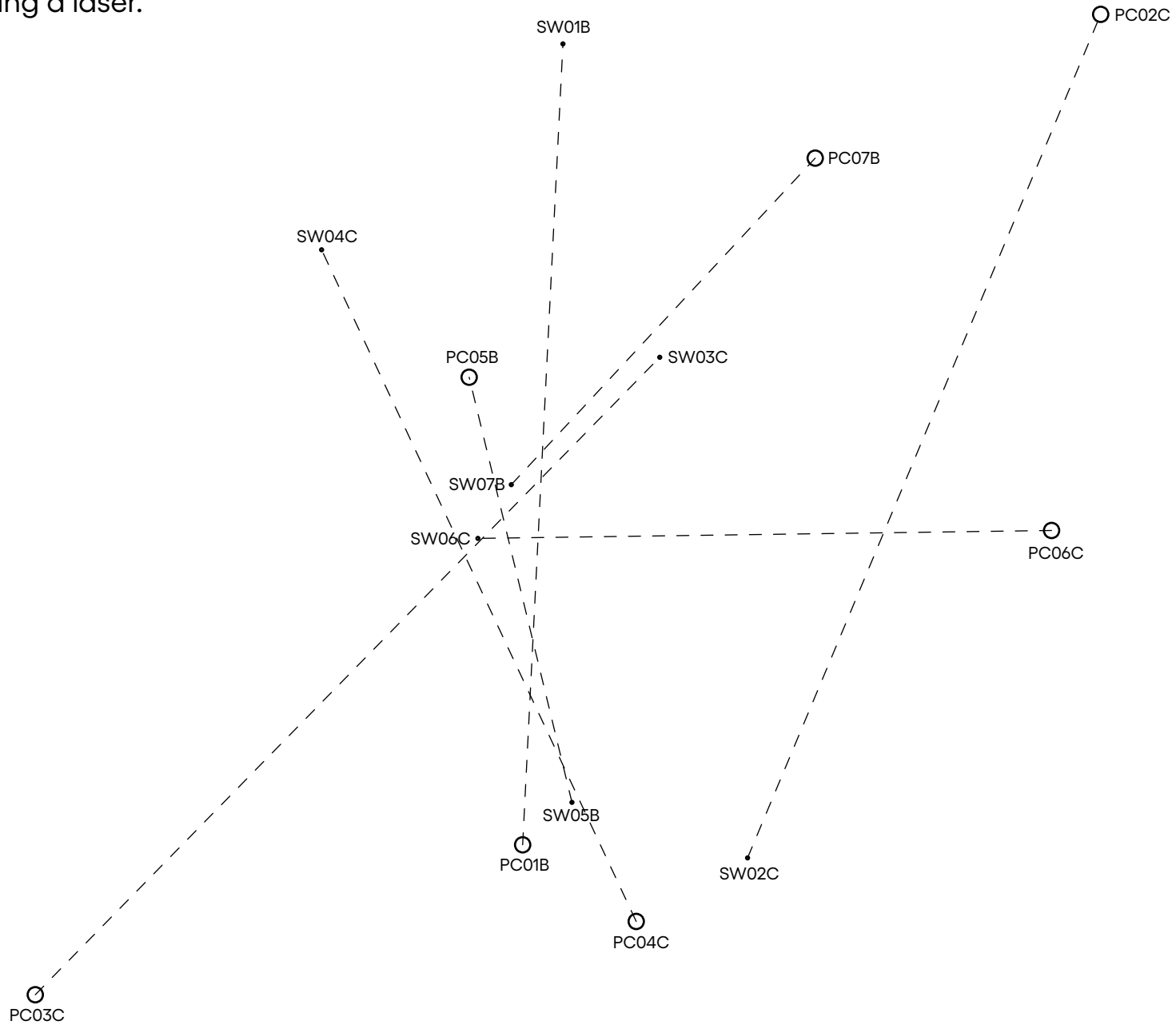
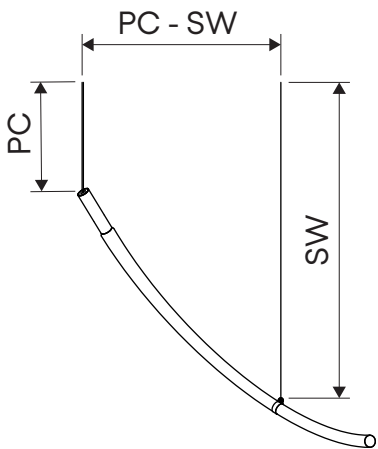


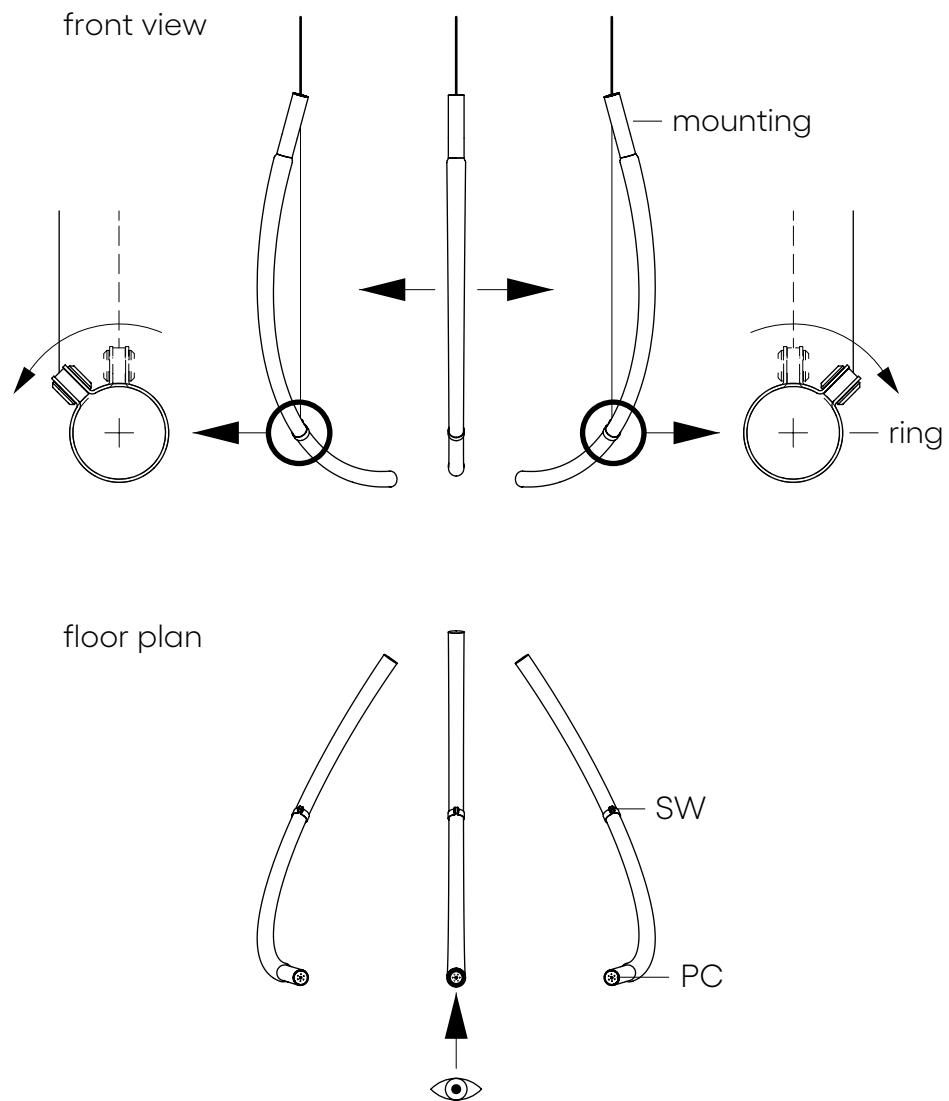
TABLE OF POWER CABLE AND STEEL WIRE LENGTHS

The stated lengths of Power Cable and Steel Wire are for the suspension height of the light fixture 3150mm. If you are going to install a light fixture with a different suspension height, add or subtract the required value from the data in the table.

No.	Type	PC - SW distance (mm)	PC (Power Cable) mm	SW (Steel Wire) mm
01	B	525	815	1340
02	C	600	1255	1645
03	C	585	1395	1815
04	C	485	1520	2025
05	B	285	1805	2475
06	C	375	1910	2495
07	B	290	2205	2870



Curved rods B and C have variable suspension options. By turning the ring, you can rotate the rod in different ways in space. The principle of rotation is shown in the figure below. We are looking directly at the suspended rod so that the power cable and steel wire are aligned behind each other and the mounting is closer to us.

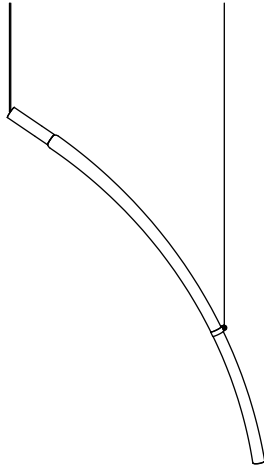


01B

VIEWS

02C

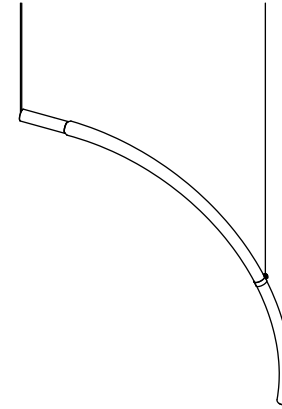
side view



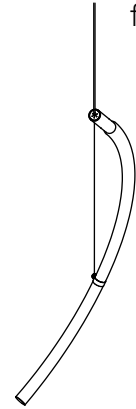
front view



side view

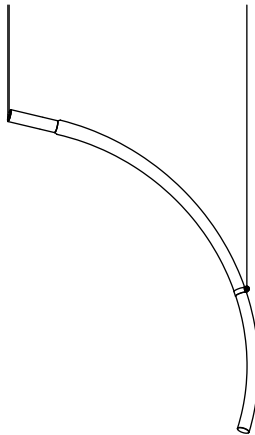


front view



03C

side view

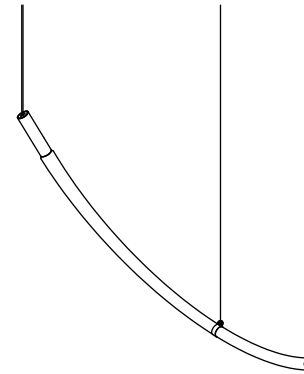


front view

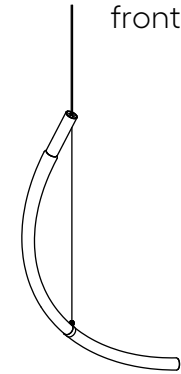


04C

side view



front view

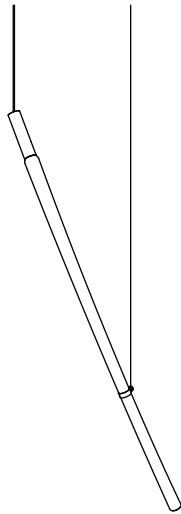


05B

VIEWS

06C

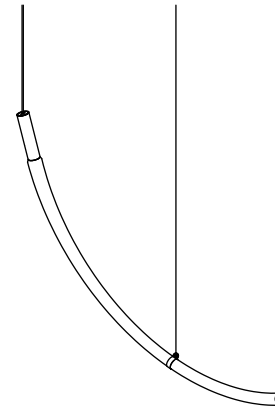
side view



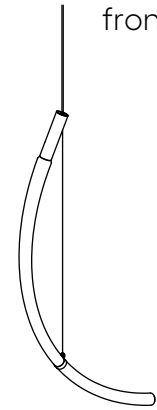
front view



side view

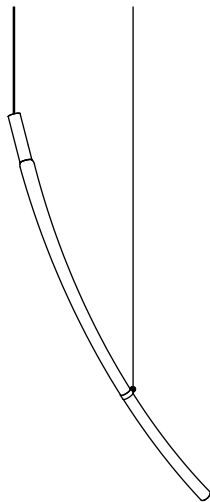


front view



07B

side view



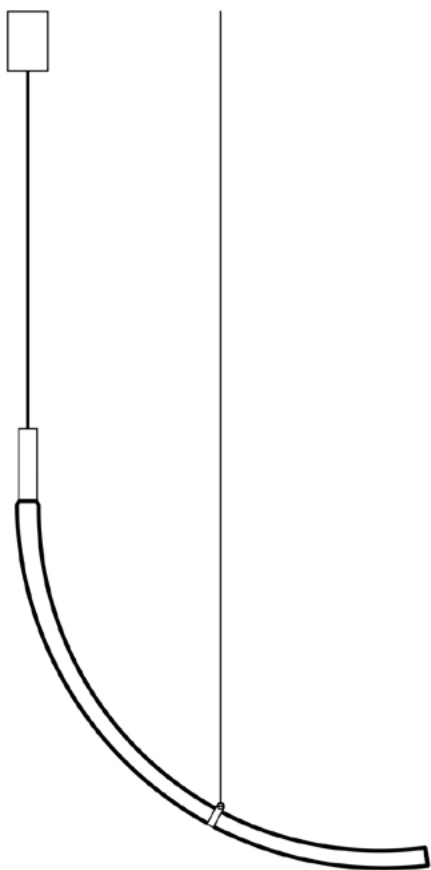
front view



Congratulations!
You may now reconnect the power and turn the light on.

flore

Design by
Kateřina Handlová



loomma

bomma.cz

TECHNICAL SHEET
FOR PENDANT LIGHT FIXTURES

FLARE pendant C

Design by
Kateřina Handlová

Handmade glass attributes

All Bomma products are hand-made from lead-free crystal. Therefore any small bubbles, non-melts and irregularities in the glass are both proof and a characteristic feature of this traditional craft.

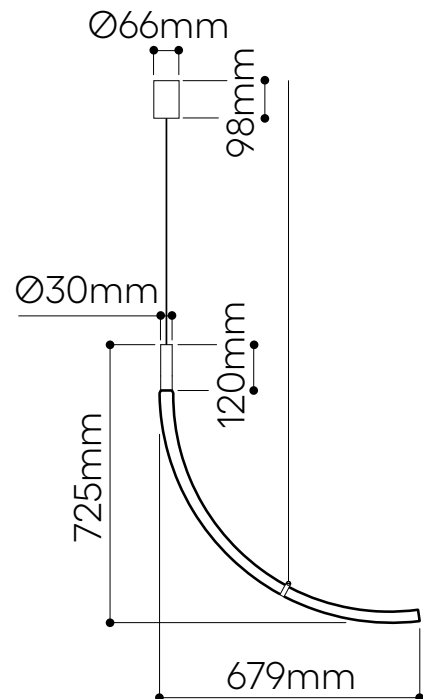
LIGHTING DESCRIPTION

Size	989 x 30 mm
	38,94 x 1,18 inch
Cable	transparent 2,5 m / 98,4 inch
Weight	+/- 2,5 kg / 5,5 lb
Glass	lead-free crystal with white spiral decor
Mounting	brushed gold (brushed brass) brushed silver (brushed stainless steel)
Protection	IP 20
Nominal voltage	220-240V / A.C. 50-60 Hz (EU) 110-120 V / A.C. 60 Hz (USA)
Class	II. EU / I. USA

LIGHT SOURCE

Type	LED MCOB, 4 W (+5%), 120 mA, 400 lm
Voltage	Vtyp 30-42V DC, I _{max} 150 mA
Temperature	2700 K
Color index	RA 90+
Dimming	Dimmable with TRIAC, PUSH, DALI

Origin: traditionally produced in the Czech Republic
Intellectual property license holder: Bomma Czech Republic (EU)
Represented by BMRC group s.r.o.

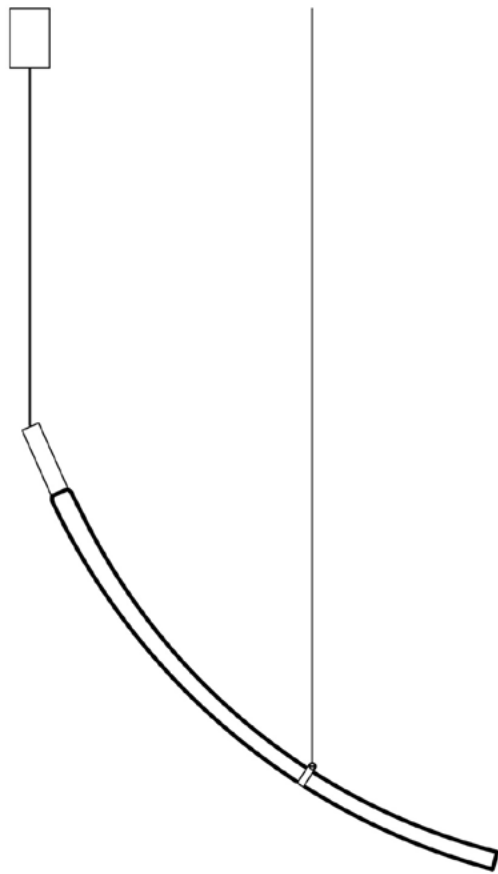


CERTIFICATES



flore

Design by
Kateřina Handlová



loomma

bomma.cz

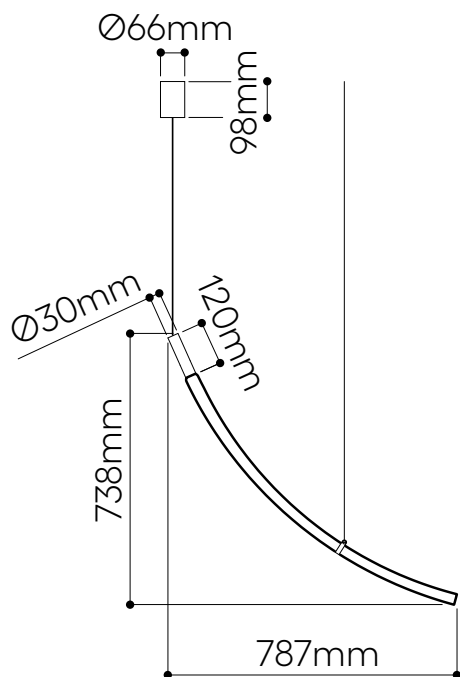
TECHNICAL SHEET
FOR PENDANT LIGHT FIXTURES

FLARE pendant B

Design by
Kateřina Handlová

Handmade glass attributes

All Bomma products are hand-made from lead-free crystal. Therefore any small bubbles, non-melts and irregularities in the glass are both proof and a characteristic feature of this traditional craft.



LIGHTING DESCRIPTION

Size	1066 x 30 mm 41,97 x 1,18 inch
Cable	transparent 2,5 m / 98,4 inch
Weight	+/- 2,5 kg / 5,5 lb
Glass	lead-free crystal with white spiral decor
Mounting	brushed gold (brushed brass) brushed silver (brushed stainless steel)
Protection	IP 20
Nominal voltage	220-240V / A.C. 50-60 Hz (EU) 110-120 V / A.C. 60 Hz (USA)
Class	II. EU / I. USA

LIGHT SOURCE

Type	LED MCOB, 4 W (+5%), 120 mA, 400 lm
Voltage	V _{typ} 30-42V DC, I _{max} 150 mA
Temperature	2700 K
Color index	RA 90+
Dimming	Dimmable with TRIAC, PUSH, DALI

Origin: traditionally produced in the Czech Republic
Intellectual property license holder: Bomma Czech Republic (EU)
Represented by BMRC group s.r.o.

CERTIFICATES

