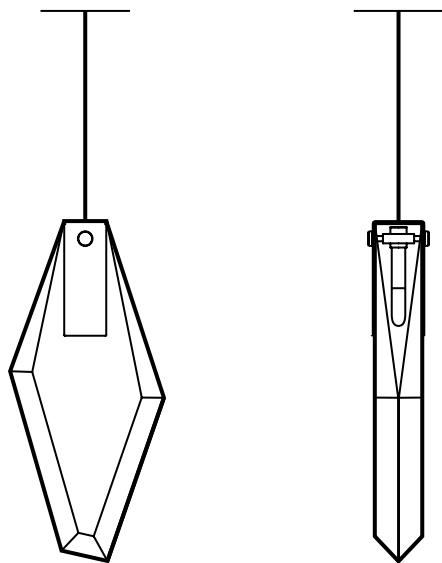


fragments

Design by
Dechem Studio



bomma

bomma.cz

TECHNICAL SHEET
FOR PENDANT LIGHT FIXTURES

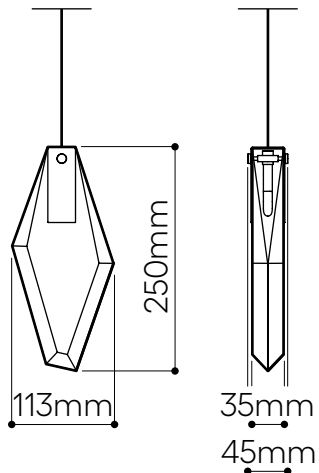
FRAGMENTS

pendant long
without canopy

Design by
Dechem Studio

Handmade glass attributes

Each Fragmentglass panel is uniquely crafted by stacking glass shards in a melting mould. This process introduces natural elements like bubbles and iron traces, which enhance the panel's aesthetic. While designers control the colour, shard size, and format, the final appearance may vary due to the unpredictable melting process. These variations are intentional and add to the panel's uniqueness.



LIGHTING DESCRIPTION

Size	113 x 45 mm, H 250 mm 4,4 x 1,8 inch, H 9,8 inch
Cable	transparent 2,5–15 m (max) / 98,4–590,5 inch (max) per specific project
Weight	+ - 2,5 kg / 5,5 lb
Glass	Fragmentglass in black, white and flamingo mint color
Mounting	brushed gold (brushed brass) anthracite (brass and galvanized black nickel)
Protection	IP 20
Nominal voltage	220-240V / A.C. 50 hz (EU) 110-120 V / A.C. 60 Hz (USA)
Class	III. EU / II. USA

LIGHT SOURCE

Type	G4, 1,2W LED, 100 lm
Base	G4 (EU) / G4 (USA)
Voltage	12V, AC
Temperature	2700 K
Color index	RA 90+
Dimming	dimnable in constellations

TRANSFORMER

Primary	to be purchased separately for specific project
---------	---

PACKAGING

Material	cardboard
Size	392 x 392 x 120 mm 15,4 x 15,4 x 4,7 inch

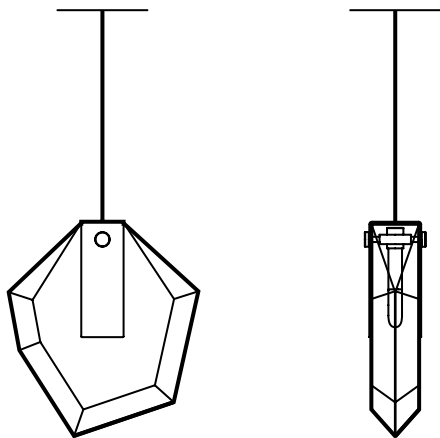
Origin: traditionally produced in the Czech Republic
Intellectual property license holder: Bomma Czech Republic (EU)
Represented by BMRC group s.r.o.

CERTIFICATES



fragments

Design by
Dechem Studio



bomma

bomma.cz

TECHNICAL SHEET
FOR PENDANT LIGHT FIXTURES

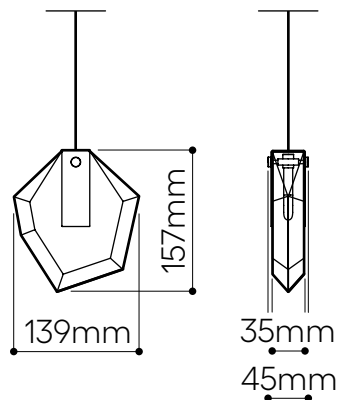
FRAGMENTS

pendant short
without canopy

Design by
Dechem Studio

Handmade glass attributes

Each Fragmentglass panel is uniquely crafted by stacking glass shards in a melting mould. This process introduces natural elements like bubbles and iron traces, which enhance the panel's aesthetic. While designers control the colour, shard size, and format, the final appearance may vary due to the unpredictable melting process. These variations are intentional and add to the panel's uniqueness.



LIGHTING DESCRIPTION

Size	139 x 45 mm, H 157 mm 5,5 x 1,8 inch, H 6,2 inch
Cable	transparent 2,5–15 m (max) / 98,4–590,5 inch (max) per specific project
Weight	+ - 1,2 kg / 2,6 lb
Glass	Fragmentglass in black, white and flamingo mint color
Mounting	brushed gold (brushed brass) anthracite (brass and galvanized black nickel)
Protection	IP 20
Nominal voltage	220-240V / A.C. 50 hz (EU) 110-120 V / A.C. 60 Hz (USA)
Class	III. EU / II. USA

LIGHT SOURCE

Type	G4, 1,2W LED, 100 lm
Base	G4 (EU) / G4 (USA)
Voltage	12V, AC
Temperature	2700 K
Color index	RA 90+
Dimming	dimnable in constellations

TRANSFORMER

Primary	to be purchased separately for specific project
---------	---

PACKAGING

Material	cardboard
Size	392 x 392 x 120 mm 15,4 x 15,4 x 4,7 inch

Origin: traditionally produced in the Czech Republic
Intellectual property license holder: Bomma Czech Republic (EU)
Represented by BMRC group s.r.o.

CERTIFICATES

